

A BLANCO Professional Group company



KUGEL BEER DRAWING STATION

The mobile beer serving island.

PLEASURE TO GO.

The mobile **KUGEL beer drawing station** provides freshly drawn pleasure to guests.



Stylish, mobile solution for discriminating users

Koncept

Not only design and function are perfect in the KUGEL beer drawing station – all ergonomic aspects are too. The KUGEL beer drawing station is the ideal mobile serving solution for discerning pleasure.

Uncomplicated handling

The drawing station just needs a socket outlet (230 V/50 Hz) and it's ready for use. It fits through every door thanks to its ideal dimensions.

Great for hygiene

Rounded edges and a conical groove embedded into the work surface make it easier to clean the drawing station. Any beer overflowing collects in the waste water jerry can, which is easily emptied.

Excellent usage options

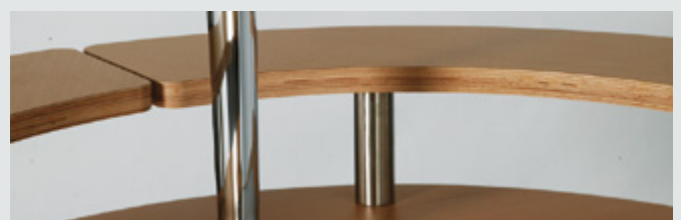
The built-in continuous flow cooler allows you to put the drawing station into action in seconds – no matter whether you're using it on a terrace, at a buffet or for a party catering service.

Large capacity

The compartment offers enough space for two 30-litre drums or one 50-litre drum – the most attractive solution for serving larger quantities of beer in an extremely tight space.



Compartment ventilation as a sophisticated design element



The counter surface – appealing and functional



Clean, hygienic design



The beer tap hole allows brewery taps to be interchanged



The stainless steel conical groove is deep drawn in a single piece and flush-fitted



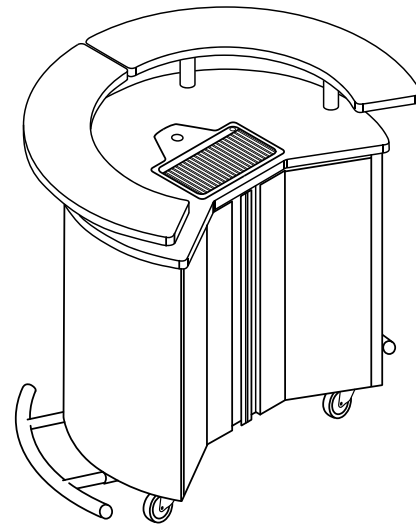
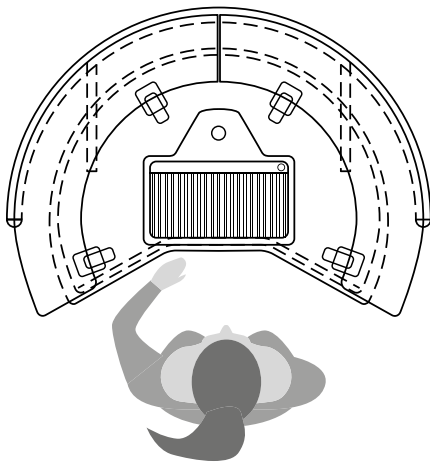
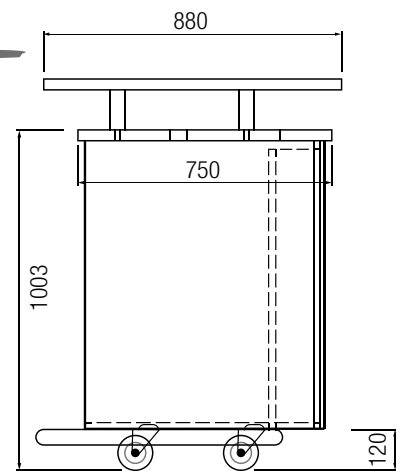
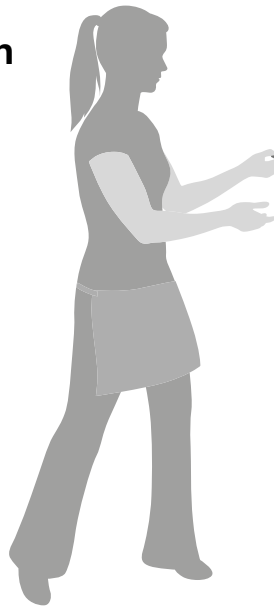
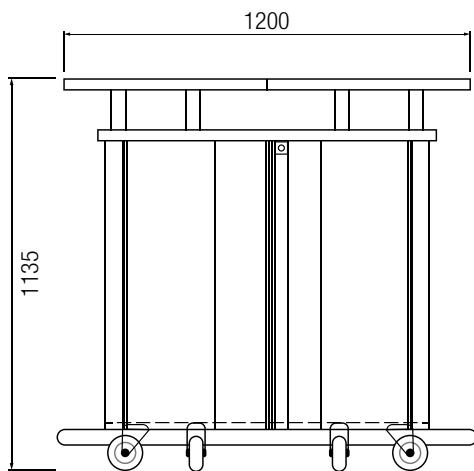
Four castors ensure complete stability



Foot rest and impact absorber in one



KUGEL beer drawing station



KUGEL Edelstahlverarbeitung GmbH
Prof.-Hermann-Staudinger-Str. 6
94234 Viechtach
Germany
Phone +49 9942 950-0
Fax +49 9942 950-299
info@kugel-edelstahl.de
www.kugel-edelstahl.de

Kugel Edelstahlverarbeitung

Perfection impresses: KUGEL Edelstahlverarbeitung is a specialist in high-grade, specific-purpose structures made of stainless steel. As a system supplier, we give advice and support to our customers, covering everything from development to final assembly for the main application fields: Railway, Medical, Industrial and Catering.

KUGEL Edelstahlverarbeitung is an independent subsidiary of the BLANCO Professional Group. BLANCO Professional and KUGEL Edelstahlverarbeitung have been certified to EN ISO 9001:2008 in all business units. This guarantees you maximum reliability and customer orientation.

